

MODEL 41-100

SPECIFICATIONS

Model 41-100, Codes 121, 122 is a five (5) tube battery operated superheterodyne radio with six electric push-buttons for automatically selecting stations. The radio covers a tuning frequency range from 540 to 1720 K. C. Other features included in this model are: Philco low drain tubes; automatic volume control; push-pull pentode audio output stage with screen phase inversion; permanent magnet dynamic speaker, and an ON-OFF battery indicator.

Codes 121 and 122 of this model use the same chassis and have the same features with the exception of the cabinet. Code 121 is assembled in a table model cabinet and Code 122 in floor model cabinet.

INTERMEDIATE FREQUENCY: 455 K. C.

PHILCO TUBES USED: One 1A7G, converter; one 1N5G, I. F. amplifier; one 1H5G, second detector, first audio; two, 1A5G, audio output.

BATTERY REQUIRED: Philco type P-60D-11L.

BATTERY CURRENT DRAIN: "A" 250 Ma., "B" 10 Ma.

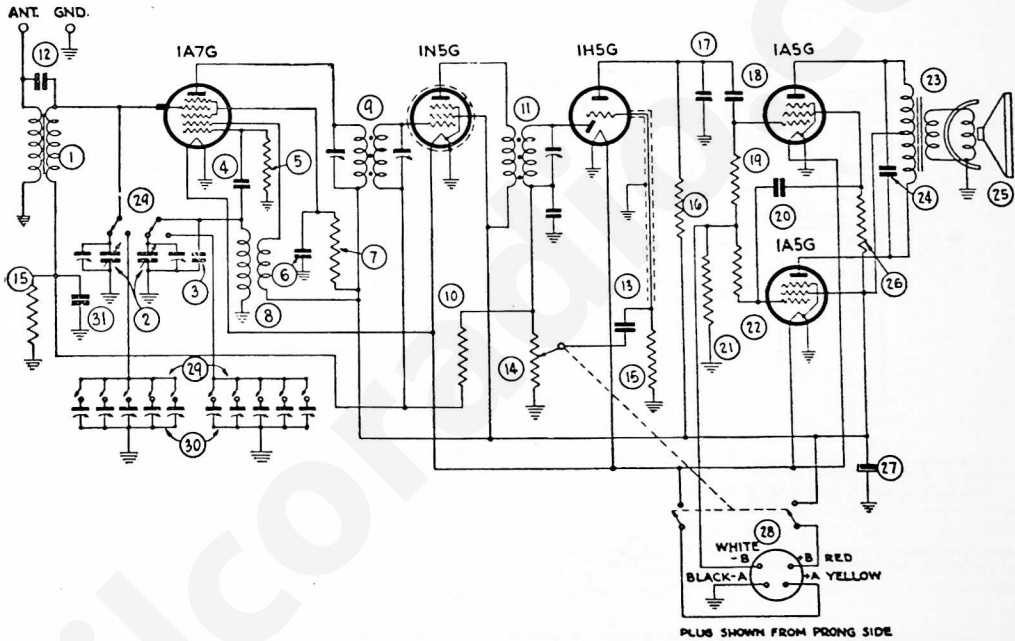
CABINET DIMENSIONS:

| Code | Height | Width | Depth |
|----------|---------|---------|---------|
| Code 121 | 10 3/4" | 17 3/4" | 9 3/4" |
| Code 122 | 36 3/4" | 21 3/4" | 10 1/2" |

AERIAL AND GROUND: To obtain maximum performance, an outdoor aerial such as the Philco Farm Radio Aerial, Part No. 40-6383 is required. A good ground connection to a water pipe or a metal rod driven into moist earth should also be used.

ALIGNING PROCEDURE: Will be found on page 48.

ELECTRIC PUSH-BUTTON TUNING: Five (5) push-buttons are used for the broadcast stations and one push-button for selecting "dial tuning." The frequency range covered by each push-button and procedure for adjusting will be found on page 27.



Replacement Parts — Model 41-100

| SCHEM. No. | DESCRIPTION | PART No. | SCHEM. No. | DESCRIPTION | PART No. | SCHEM. No. | DESCRIPTION | PART No. |
|------------|--|-----------|------------|---------------------------------------|-----------|------------|------------------------------------|----------|
| 1 | Antenna Transformer | 32-3248 | 20 | Tubular Condenser (.01 mf. 400 V) | 30-4572 | | Dial | 27-5592 |
| 2 | Tuning Condenser | 31-2461 | 21 | Resistor (680 ohms 1/2 watt) | 33-168326 | | Pointer | 56-1276 |
| 3 | Silver Mica Condenser | 30-1113 | 22 | Resistor (2.2 Meg. 1/4 watt) | 33-522154 | | Drive Cord (Tuning Cond.) | 31-2512 |
| 4 | Molded Mica Condenser (100 mmf.) | 60-110157 | 23 | Output Transformer | 32-8107 | | Spring | 28-8913 |
| 5 | Resistor (220,000 ohms 1/4 watt) | 33-422154 | 24 | Molded Mica Cond. (250 mmf.) | 60-125157 | | Drive Cord (Pointer) | 31-2513 |
| 6 | Tubular Condenser (.05 mf. 200 V) | 30-4444 | 25 | 5" Speaker for Compact | 36-1507 | | Drive Cord (Indicator) | 31-2504 |
| 7 | Resistor (68,000 ohms 1/4 watt) | 33-368154 | | 3" Speaker for Console | 36-1488 | | Spring | 28-8913 |
| 8 | Oscillator Transformer | 32-3214 | 26 | Resistor (10,000 ohms 1/4 watt) | 33-310154 | | Escutcheon (Push-button, Code 121) | 56-1455 |
| 9 | 1st I. F. Transformer | 32-3198 | 27 | Electrolytic Condenser (10 mf. 150 V) | 30-2396 | | Screw | W-2072 |
| 10 | Resistor (10 Meg. 1/4 watt) | 33-610154 | 28 | Battery Cable | 41-3505 | | Escutcheon (Push-button, Code 122) | 27-4983 |
| 11 | 2nd I. F. Transformer | 32-3199 | 29 | Push Button Switch | 42-1528 | | Indicator (ON-OFF) | 76-1050 |
| 12 | Molded Mica Condenser (5 mmf. Included In Ant. Trans. Assy.) | 30-4578 | 30 | Push Button Padder Strip | 31-6349 | | Cam | 38-9861 |
| 13 | Tubular Condenser (.004 mf. 400 V) | 30-4578 | 31 | Tubular Condenser (.05 mf. 200 V) | 30-4519 | | Transfer Lever | 76-1049 |
| 14 | Volume Control (1 Meg. & DPST Switch) | 33-5398 | | | | | Knob (Vol.—Tuning) | 27-4332 |
| 15 | Resistor (4.7 Meg. 1/4 watt) | 33-547154 | | | | | Knobs (Push-button) | 27-4824 |
| 16 | Resistor (1 Meg. 1/4 watt) | 33-510154 | | | | | Sockets (Tubes) | 27-6133 |
| 17 | Molded Mica Condenser (100 mmf.) | 60-110157 | | | | | Screw (Chassis Mounting) | W-2030 |
| 18 | Tubular Condenser (.01 mf., 400 V) | 30-4572 | | | | | Speaker (Code 121) | 36-1507 |
| 19 | Resistor (2.2 Meg. 1/4 watt) | 33-522154 | | | | | Speaker (Code 122) | 36-1488 |
| | | | | | | | Tuning Drum (Condenser) | 76-1176 |
| | | | | | | | Tuning Shaft | 31-2465 |
| | | | | | | | Tube Shield | 56-1366 |
| | | | | | | | Tube Shield Clip | 56-1567 |
| | | | | | | | Tab (Dial) | 27-5524 |
| | | | | | | | Tab Kit (Code 121) | 40-6593 |
| | | | | | | | Tab Kit (Code 122) | 40-6619 |

MISCELLANEOUS PARTS

| | |
|-------------------------------|---------|
| Cabinet (Table Type—Code 121) | 10484A |
| Cabinet (Floor Type—Code 122) | 10494C |
| Bezel (Code 121 Cabinet) | 27-4975 |
| Glass (Bezel) | 27-5610 |
| Mounting Clip (Glass) | 56-1876 |
| Mounting Clip (Bezel) | 56-1877 |
| Clip (Aerial Coil Mtg.) | 28-5002 |
| Clip (Oscillator Coil Mtg.) | 28-5003 |